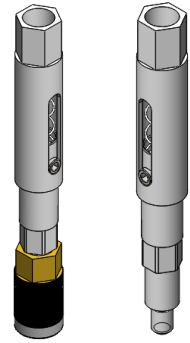


Name: TR10652-xxx Rev 3 Spring Finger

Features:

- Configurable spring rate (See Table A.1 below)
- 6-11.9 mm travel distance (See Table A.1 below)
- Brass Adapter with Nickel Plating for low friction, resistance, and long life
- Accepts a wide variety of tips ranging in diameter from 5-50mm
E.g. palm, fingertip, etc.



-001 shown with/without fingertip

Application:

- Capacitive, Projected Capacitive, Resistive, SAW (Surface Acoustic Wave), and Infrared touch panel testing e.g. touch screen, touch pad, keypad, etc.

Description:

- The Spring Finger Assembly is used primarily for simulating the human finger during touch panel testing. The user can choose to attach a wide variety of tips to the Spring Finger to complete a variety of touch tests.

Dimensions in inches [and millimeters]

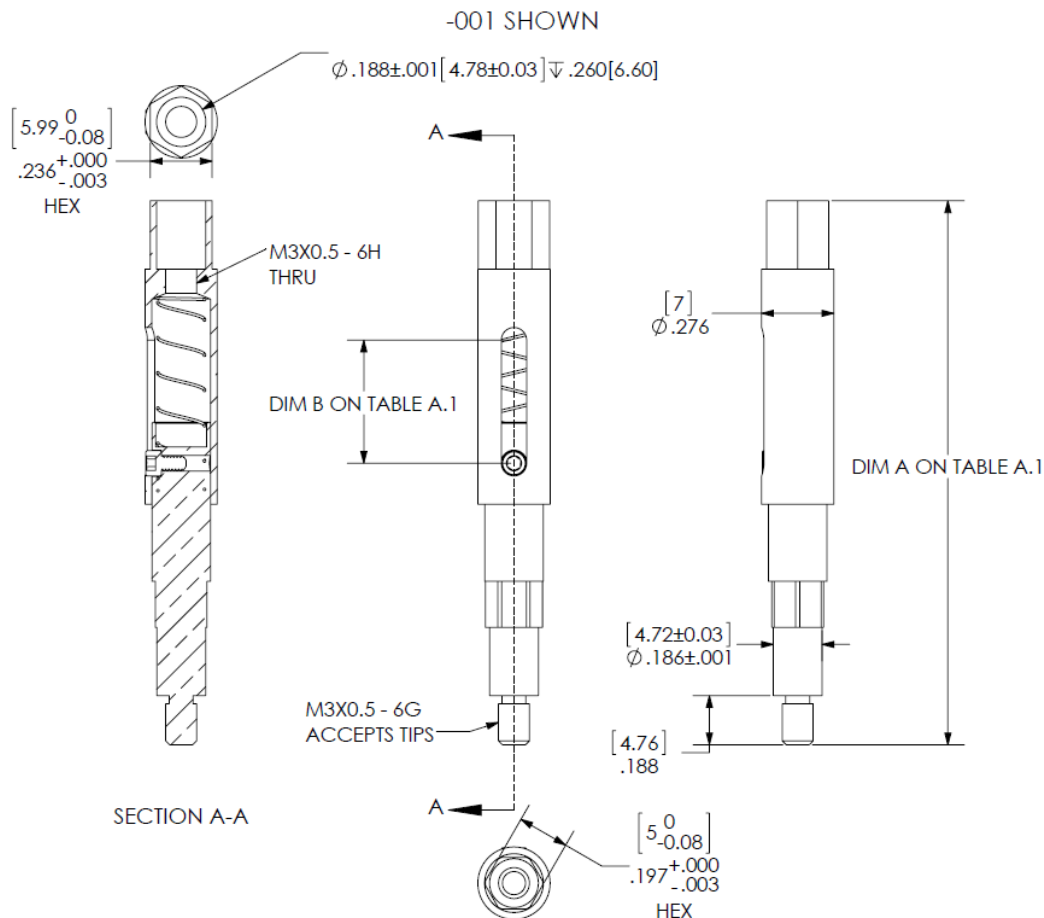


Table A.1, Spring Finger Nominally Calculated Force Information per Part#:

Tactile Part #	Overall Length in mm (DIM A)	Max Travel Distance in mm (DIM B)	Spring Rate (g/mm)	Starting Force at Min Travel (g)	End Force at Max Travel minus .5mm (g)	End Force at Max Travel (g)
TR10652-001	52.63	11.9	8.75	51	151	155
TR10652-002	46.65	6	35	50	242	260
TR10652-003	47.46	6.8	43.21	17	289	311
TR10652-004	47.46	6.8	66.07	21	437	471

Table A.1 Note: The information in table A.1 shows the nominal dimensions and forces at the beginning and end of the Spring Finger travel range. Actual dimensions and force may vary due to manufacturing and spring variance. Tactile recommends users never travel the Spring Finger to the max distance (bottoming out) as this will increase the risk of damaging the DUT (device under test) or the Spring Finger. Tactile recommends a working travel range of .5mm less than the max travel range to avoid damage; see table A.1 for more force vs. displacement (travel) information.

User Note: Tactile does not recommend any user to disassemble the Spring Finger, as this could cause damage and the need for repair.

Purchasing Note: Tactile recommends purchasing Part# TR10652-003 and -004 fingers if you do not require 11.9mm of travel. The -001 adapters have more friction at the beginning of travel due to less overlap between the Housing and the Plunger. To purchase any Tactile products please visit www.tactileautomation.com, find the product you would like to purchase and request a quote or contact our sales department at sales@tactileautomation.com and they will be happy to assist you.

For more information please contact Tactile Automation at 425-310-8380 or sales@tactileautomation.com